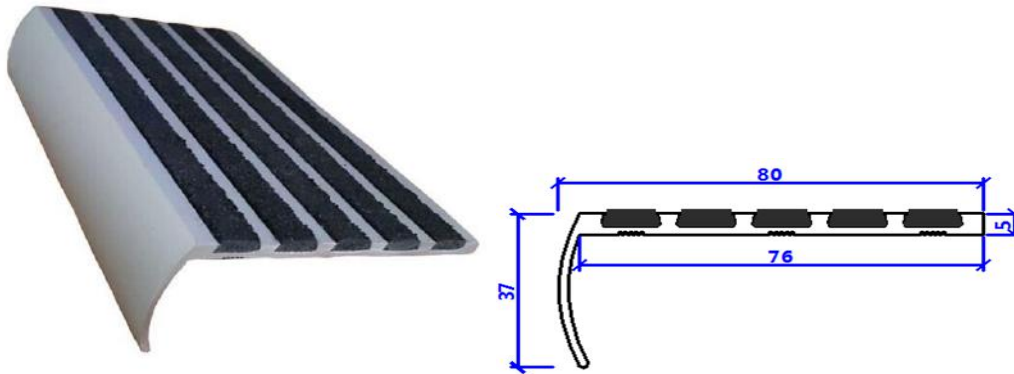


RC37 Franklin Carborundum/Aluminium Stair Nosing with black or yellow carborundum anti-slip strips



Introduction:

Floorsafe Australia's Franklin range of carborundum stair nosing's have been designed & manufactured to be used in extremely high traffic areas and available with black or yellow carborundum anti-slip strips.

Material:

The RC37 is manufactured from anodised aluminium this tough & durable stair nosing with 5 x 10mm carborundum anti-slip strips is ideal to be installed on both internal and external steps & stairways to provide the upmost in safety.

Ultimate In Anti-Slip Safety

The carborundum inserts provides the highest possible safety rating and is particularly suitable for external wet areas. As one of our most popular stair nosing's it exceeds the requirements of the Australian/New Zealand Standards for anti-slip AS4586:2004, Slip resistance classification of new pedestrian surface materials and the National Construction Code.

Size:

37mm x 80mm x 5mm Thickness

Warranty:

5 Year wear warranty under normal foot traffic

Length:

Available in 3620mm lengths or custom cut to required size

Fixing: Drilled and screwed through one of the carborundum strips or fixed with a suitable adhesive to most substrates.